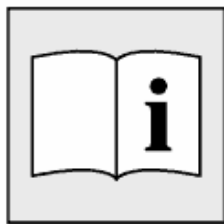
**Special tools required:**

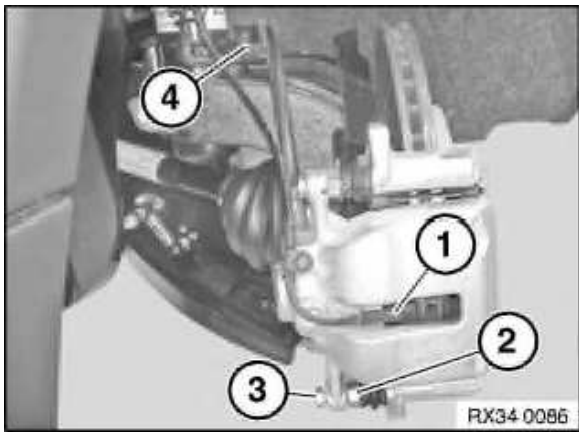
- 34 1 050
- 34 1 280

**Important!**

The brake pad wear sensor must be replaced once it has been removed (brake pad wear sensor loses its retention capability in the brake pad).

*Necessary preliminary tasks:*

- Remove front wheels
- Remove brake pad wear sensor



Pull brake pad wear sensor (1) towards front out of pad (left side only).

Release guide screw (3).

If necessary, grip at hexagon head (2).

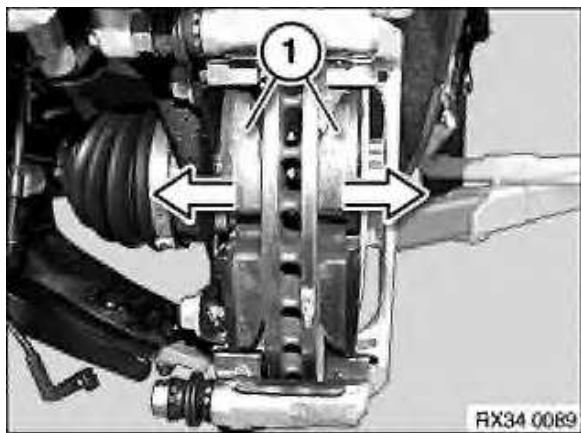
Feed brake hose out of holder (4).

Tilt brake caliper upwards.

**Installation:**

Replace guide screw.

Tightening torque 34 11 3AZ .



Remove brake pads (1) in direction of arrow from brake console.

**Important!**

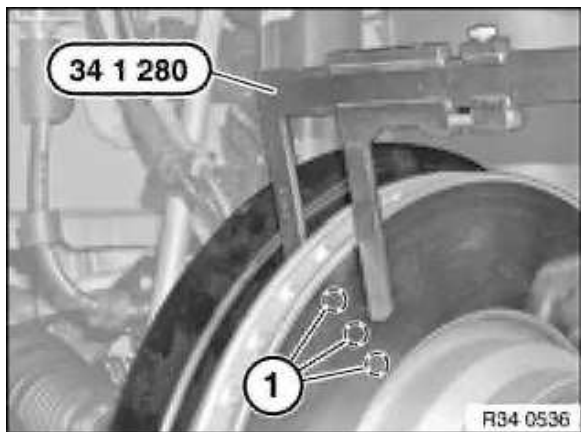
Mark any worn brake pads.

In the event of one-sided brake pad wear, do not change brake pads round.

Observe minimum thickness of brake pads.

Clean brake pads.

Do not apply grease to brake pad backplate.



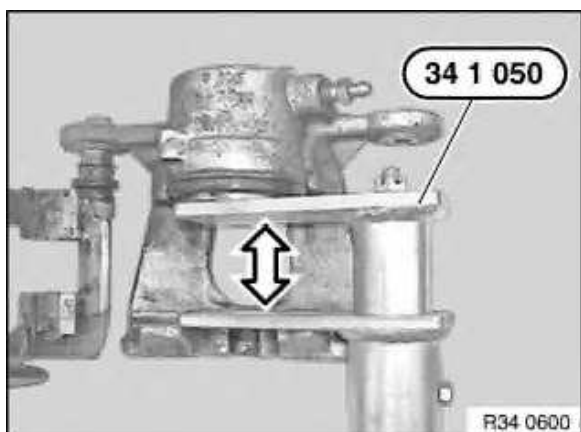
Check minimum brake disc thickness:

- Position special tool 34 1 280 at three measuring points in area (1) and measure.
- Compare measurement result and lowest value with setpoint value.

New brake pads may only be installed if the brake disc thickness is greater than or equal to the minimum brake disc thickness (MIN TH).

*Note:*

The minimum thickness of the brake disc is designed so that it holds over the service life of a further set of brake pads if it is greater than or equal to the minimum brake disc thickness (MIN TH).

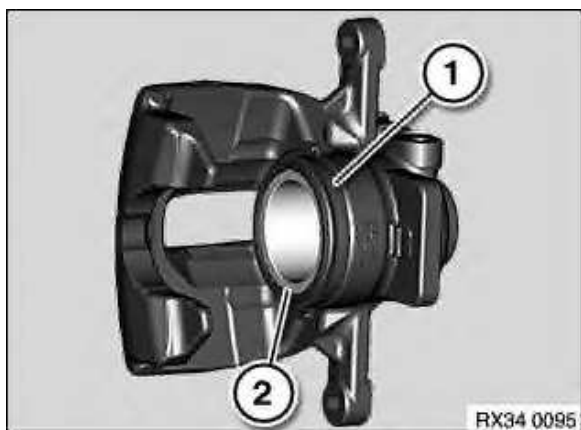


Press brake piston fully back with special tool 34 1 050 .

**Important!**

When pressing piston back, note brake fluid level in expansion tank.

Overflowing brake fluid will damage the paintwork.

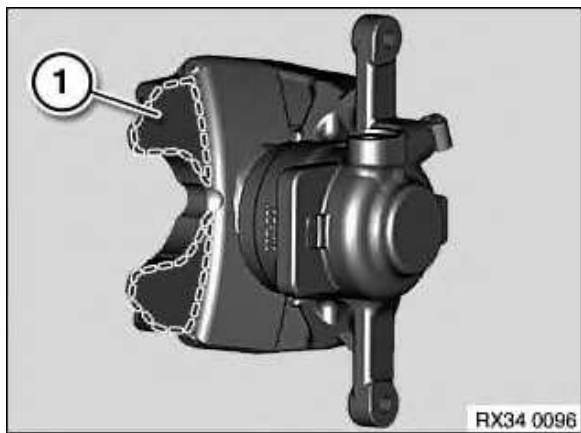


Check dust sleeve (1) for damage and replace if necessary.

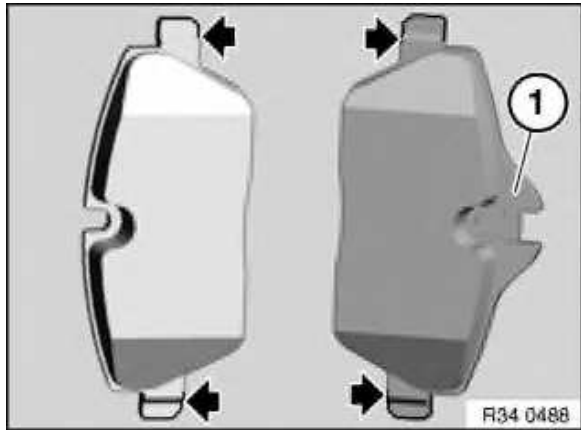
Clean contact face (2) of brake piston and apply a thin coating of anti-squeak compound.

**Important!**

Dust sleeve must not come into contact with anti-squeak compound as this may cause the dust sleeve to swell.



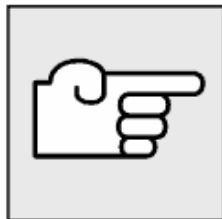
Clean contact face (1) of brake caliper and apply a thin coating of anti-squeak compound.



Clean hammerhead guides and apply a thin coating of anti-squeak compound.

**Important!**

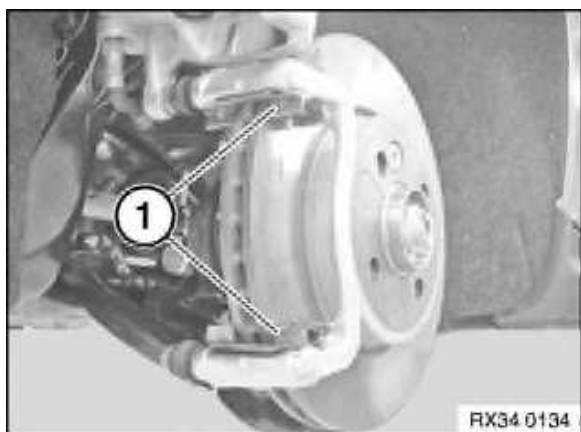
Brake pad with indentation (1) is intended for accommodating the brake pad wear sensor and must be fitted on the piston side.



**Note:**

After completing work:

- Fully depress brake pedal several times so that brake pads contact brake discs.
- When installing new brake pads at front and rear axles, brake fluid level must be brought up to "MAX" marking.
- Read and comply with notes on braking in new brake discs / brake pads.
- If necessary, when replacing pads, reset CBS display in accordance with factory specification.



**Replacement:**

Remove pad retaining springs (1).

*Installation:*

Clean contact face of brake carrier and apply a thin coating of anti-squeak compound.