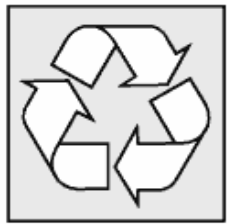


**Important!**

It is essential to adhere to the exact filling capacities specified.

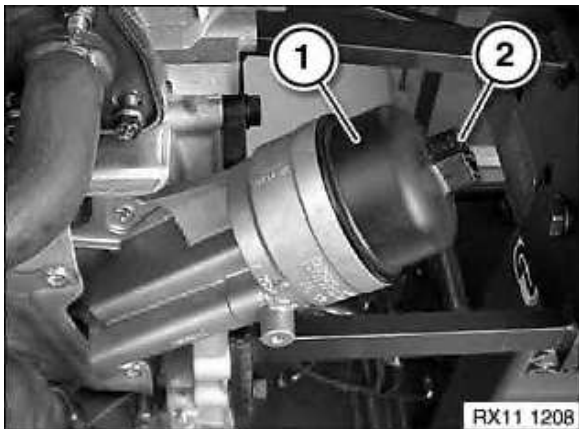
Overfilling the engine with engine oil will result in **engine damage**.

Checking and drip-off times must be observed.

*Recycling:*

Catch and dispose of used oil in a suitable container.

Observe country-specific waste-disposal regulations.

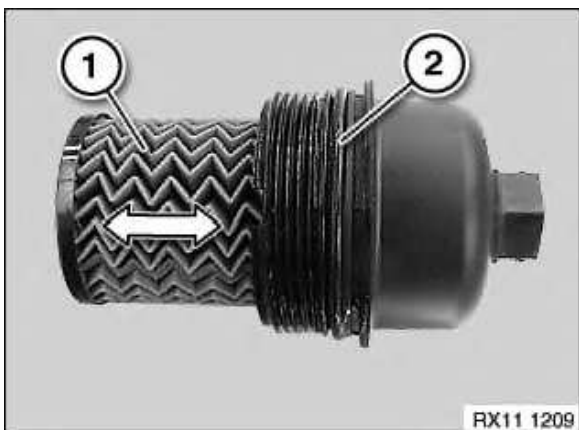


Unfasten oil filter cap (1) at hexagon (2).

Note:

Slowly open oil filter cap.

If necessary, catch escaping engine oil in a cloth.



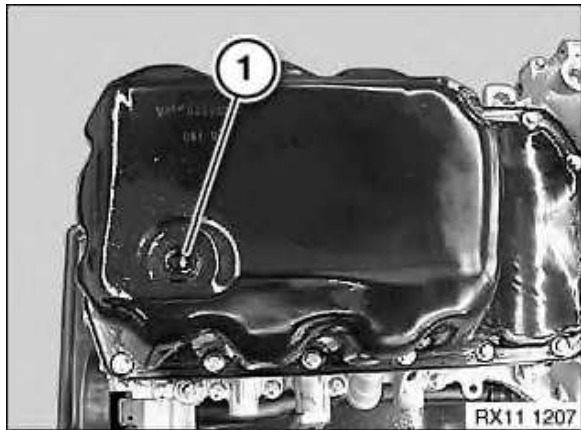
Remove and insert oil filter element (1) in direction of arrow.

Replace O-ring (2).

Installation:

Lubricate O-ring (2) with engine oil.

Tightening torque: 11 42 1AZ .

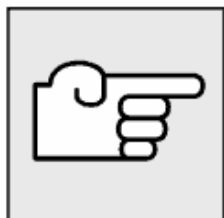


Remove engine oil drain plug (1).

Installation:

Replace sealing ring.

Tightening torque: 11 13 1AZ



Assemble engine.

Checking engine oil level:

- Park vehicle on a horizontal surface.