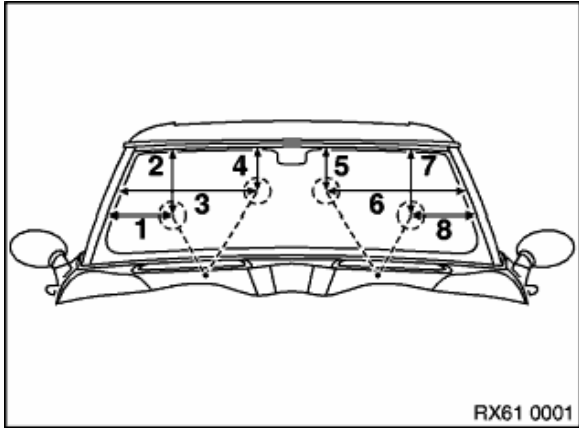
**Special tools required:**

- 00 9 200



Mark contact points with adhesive tape on windscreen.

Actuate windscreen washer system.

The jet sprays must strike the areas of the markings.

Adjustment values in mm:

1 = 270

2 = 360

3 = 530

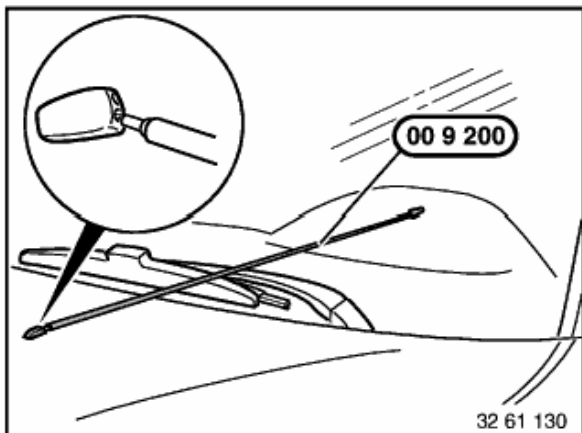
4 = 240

5 = 240

6 = 530

7 = 360

8 = 270



If necessary, adjust left or right spray nozzle with special tool 00 9 200 .

Note:

If necessary, remove adhesive residue from windscreen.

Fill up with washer fluid.